

HY VMII SERIES

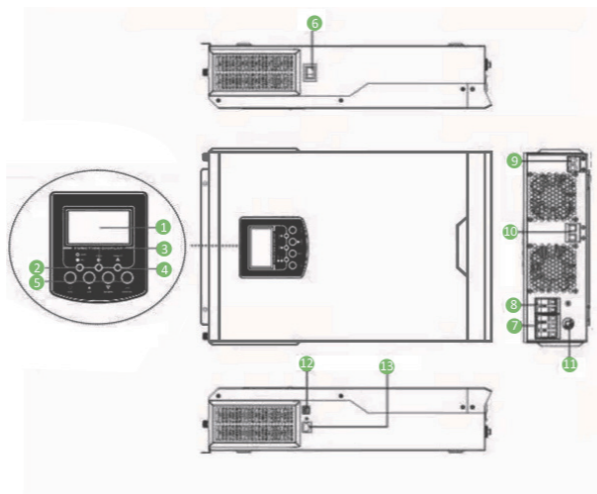
This is a multi functional inverter/charger, combining functions of inverter, solar charger and battery charger to offer uninterruptible power support in portable size. Its comprehensive LCD display offers user-configrble and easy-accessible button operation such as battery charging current, AC/solar charger priority, and acceptable input voltage based on different applications.



VMII Series Solar Inverter

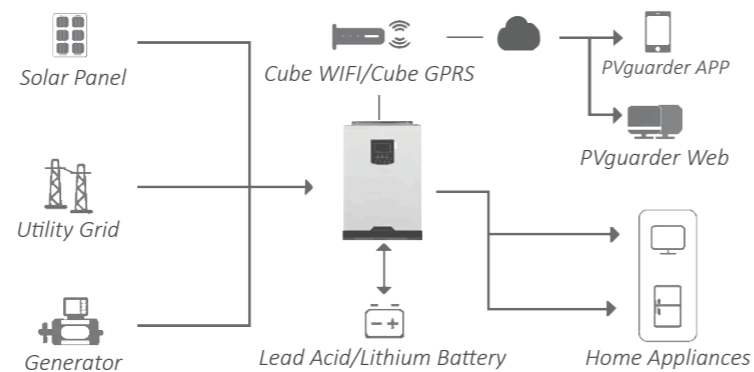
Product Overview

- | | |
|------------------------|-------------------------------|
| 1. LCD display | 8. AC output |
| 2. Status indicator | 9. PV input |
| 3. Charging indicator | 10. Battery input |
| 4. Fault indicator | 11. Circuit breaker |
| 5. Function buttons | 12. USB communication port |
| 6. Power on/off switch | 13. RS-232 communication port |
| 7. AC input | |



Main Features

- * High efficiency pure sine wave inverter(PF=1)
- * Wide PV input range (120V dc -500V dc) 80A MPPT SCC
- * Intelligent 3 stage 60A AC battery charger.
- * Surges to 2X continuous power for 5 seconds for motor loads.
- * Intelligent functionality enables utility and solar input prioritization.
- * Wide utility input range (90V ac ~280Vac) for unreliable grid even in the most challenging environments.
- * Field serviceable with replacement boards and spare parts.
- * Monitor, troubleshoot, or communication with USB/RS 232.
- * This series inverters can work without batteries when there is the sun.



Model	HY3222VMII	HY3522VMII	HY5032VMII	HY5532VMII
Rated Power	3200VA/3200W	3500VA /3500W	5000VA / 5000W	5500VA / 5500W

INPUT

Voltage	230 VAC			
Selectable Voltage Range	170-280 VAC (For Personal Computers);			
	90-280 VAC (For Home Appliances)			
Frequency Range	50 Hz/60 Hz (Auto sensing)			

OUTPUT

AC Voltage Regulation (Batt. Mode)	230 VAC ±5%			
Surge Power	6000VA	7000VA	10000VA	11000VA
Efficiency (Peak)	90%~93%			
Transfer Time	10ms (For Personal Computers)			
	20ms (For Home Appliances)			
Waveform	Pure sine wave			

BATTERY

Battery Voltage	24 VDC	48 VDC
Floating Charge Voltage	27 VDC	54 VDC
Overcharge Protection	33 VDC	63 VDC

SOLAR CHARGER & AC CHARGER

Max. PV Array Open Circuit Voltage	500VDC			
MPP Range @operating Voltage	120~450VDC			
Max. PV Array Power	4000 W	5000W		
Max. Solar Charge Current	80 A	100 A	80 A	100A
Max. AC Charge Current	60 A			
Max. Charge Current	100A			

PHYSICAL

Dimension, D x W x H (mm)	115*300*400mm			
Net Weight (kgs)	9kg	10kg		
Communication Interface	USB/RS232/RS485/Bluetooth/Dry-contact			

ENVIRONMENT

Humidity	5% to 95% Relative Humidity (Non-condensing)			
Operating Temperature	-10° C to 50° C			
Storage Temperature	-15° C to 60° C			